

Digital Logic Design: a rigorous approach ©

Chapter 18: Memory Modules

Guy Even Moti Medina

School of Electrical Engineering Tel-Aviv Univ.

January 14, 2013

Book Homepage:

<http://www.eng.tau.ac.il/~guy/Even-Medina>

The Zero Delay Model

- 1 Transitions of all signals are instantaneous.
- 2 Combinational gates: $t_{pd} = t_{cont} = 0$.
- 3 Flip-flops satisfy:

$$t_{su} = t_{i+1} - t_i,$$
$$t_{hold} = t_{cont} = t_{pd} = 0.$$

- 4 Simplified model for specifying and simulating the functionality of circuits with flip-flops.

The Zero Delay Model - cont

- 1 The clock period, in the delay model, equals 1.
- 2 $t_{i+1} - t_i = 1$, for every i .
- 3 the duration of the i th clock cycle is the interval $[t_i, t_{i+1}) = [i, i + 1)$.
- 4 All transitions are instantaneous, so we may assume that each signal is stable during each clock cycle.
- 5 Let X_i denote the digital value of the signal X during the i 'th clock cycle.

The Zero Delay Model - functionality of a FF

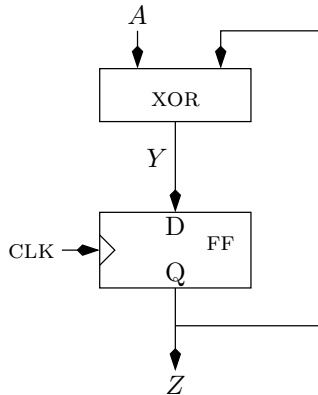
- 1 The functionality of a flip-flop is specified as follows:

$$Q(t) = D(t - 1).$$

Since each signal is stable during each clock cycle, we could also write $Q_i = D_{i-1}$.

- 2 meaning:
 - The critical segment C_i equals $[t_{i-1}, t_i)$.
 - The value of $D(t)$ is stable during the critical segment $[t_{i-1}, t_i)$.
 - This value, denoted by D_{i-1} , is sampled by the flip-flop during the clock cycle $(i - 1)$.
 - In the next clock cycle $[t_i, t_{i+1})$, the flip-flop's output $Q(t)$ equals the value of the input sampled during the previous cycle.

Example: Sequential XOR



i	A_i	Y_i	Z_i
0	0	0	0
1	0	0	0
2	1	1	0
3	0	1	1
4	0	1	1
5	1	0	1
6	0	0	0
7	1	1	0
8	0	1	1

A term **register** is used to define a memory device that stores a bit or more. There are two main types of register depending on how their contents are loaded.

- 1 Parallel Load Register
- 2 Shift Register (also called a serial load register)

Definition

An n -bit *parallel load register* is specified as follows.

- Inputs:**
- $D[n - 1 : 0](t)$,
 - $CE(t)$, and
 - a clock CLK.

Output: $Q[n - 1 : 0](t)$.

Functionality:

$$Q[n - 1 : 0](t + 1) = \begin{cases} D[n - 1 : 0](t) & \text{if } CE(t) = 1 \\ Q[n - 1 : 0](t) & \text{if } CE(t) = 0. \end{cases}$$

An n -bit parallel load register is simply built from n clock enabled flip-flops.

Parallel Load Register - design

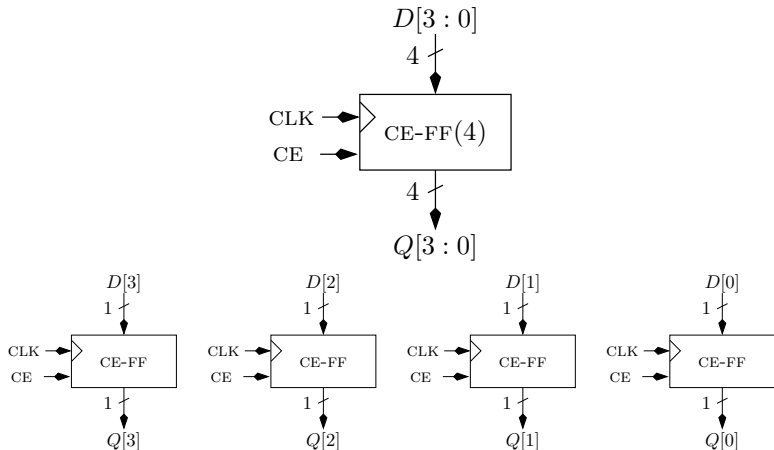
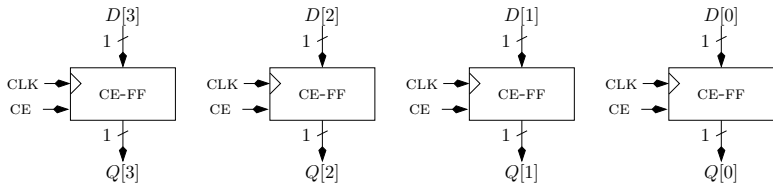


Figure: A 4-bit parallel load register

Parallel Load Register - simulation



i	$D[3 : 0]$	CE	$Q[3 : 0]$
0	1010	1	0000
1	0101	1	1010
2	1100	0	0101
3	1100	1	0101
4	0011	1	1100

Definition

A *shift register* of n bits is defined as follows.

Inputs: $D[0](t)$ and a clock CLK.

Output: $Q[n - 1](t)$.

Functionality: $Q[n - 1](t + n) = D[0](t)$.

Shift Register - design

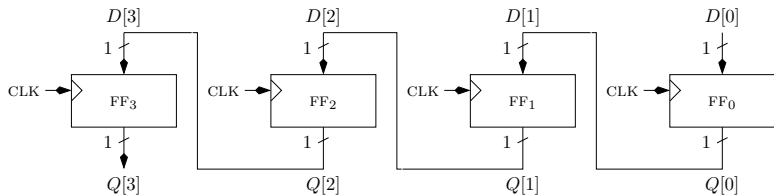
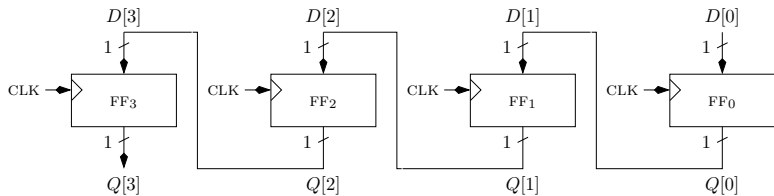


Figure: A 4-bit shift register. Functionality: $Q[3](t + 4) = D[0](t)$

Shift Registers - simulation



i	$D[0]$	$Q[3 : 0]$
0	1	0000
1	1	0001
2	1	0011
3	0	0111
4	1	1110

Random Access Memory (RAM)

- 1 Array of memory cells.
- 2 Each memory cell stores a single bit.
- 3 in each cycle, a single memory cell is accessed.
- 4 Two operations are supported: read and write.
 - read operation: the contents of the accessed memory is output.
 - write operation: a new value is stored in the accessed memory.
- 5 The number of memory cells is denoted by 2^n .
- 6 Each cell has a distinct address between 0 and $2^n - 1$.
- 7 The cell to be accessed is specified by an n -bit string called *Address*.
- 8 The array of memory cells is denoted by $M[2^n - 1 : 0]$. Let $M[i](t)$ denote the value stored in the i th entry of the array M during clock cycle t .

Definition

A RAM(2^n) is specified as follows.

Inputs: $Address[n - 1 : 0](t) \in \{0, 1\}^n$, $D_{in}(t) \in \{0, 1\}$,
 $R/\overline{W}(t) \in \{0, 1\}$ and a clock CLK.

Output: $D_{out}(t) \in \{0, 1\}$.

Functionality :

- 1 data: array $M[2^n - 1 : 0]$ of bits.
- 2 initialize: $\forall i : M[i] \leftarrow 0$.
- 3 For $t = 0$ to ∞ do
 - 1 $D_{out}(t) = M[\langle Address \rangle](t)$.
 - 2 For all $i \neq \langle Address \rangle$: $M[i](t + 1) \leftarrow M[i](t)$.
 - 3

$$M[\langle Address \rangle](t + 1) \leftarrow \begin{cases} D_{in}(t) & \text{if } R/\overline{W}(t) = 0 \\ M[\langle Address \rangle](t) & \text{else.} \end{cases}$$

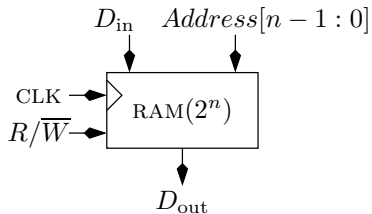
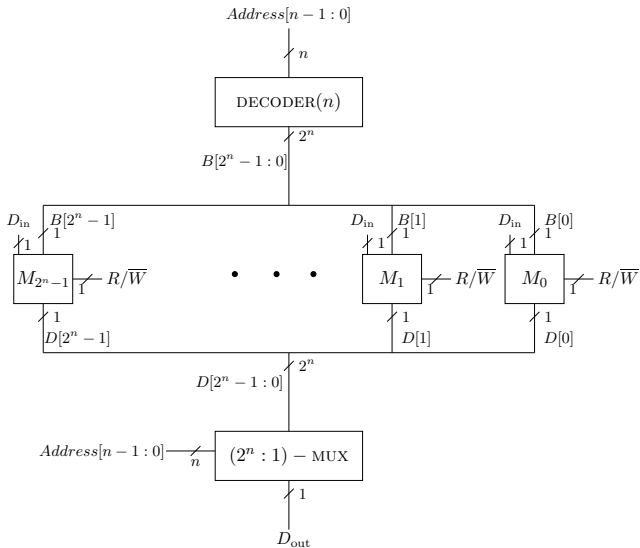


Figure: A schematic of a $\text{RAM}(2^n)$.

RAM -design



Definition

A single bit *memory cell* is defined as follows.

Inputs: $D_{in}(t)$, $R/\overline{W}(t)$, $sel(t)$, and a clock CLK.

Output: $D_{out}(t)$.

Functionality:

Let $S(t) \in \{0, 1\}$ denote the state of memory cell in cycle t . Assume that the state is initialized to be $S(0) = 0$. The functionality is defined according to the following cases.

- 1 $S(t) \leftarrow \begin{cases} D_{in}(t) & \text{if } sel(t) = 1 \text{ and } R/\overline{W}(t) = 0 \\ S(t-1) & \text{otherwise.} \end{cases}$
- 2 $D_{out}(t) \leftarrow S(t-1)$.

Memory Cell - design

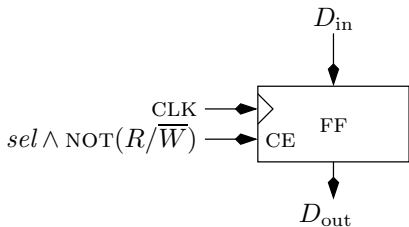


Figure: An implementation of a memory cell.

Read-Only Memory (ROM)

- The module called Read-Only Memory (ROM) is similar to a RAM, except that write operations are not supported.
- This means that the contents stored in each memory cell are preset and fixed.
- ROMs are used to store information that should not be changed.
- For example, the ROM stores the program that is executed when the computer is turned on.

Definition

A ROM(2^n) that implements a Boolean function $M : [0..2^n - 1] \rightarrow \{0, 1\}$ is defined as follows.

Inputs: $Address[n - 1 : 0](t)$.

Output: $D_{out}(t)$.

Functionality :

$$D_{out} = M[\langle Address \rangle] .$$

